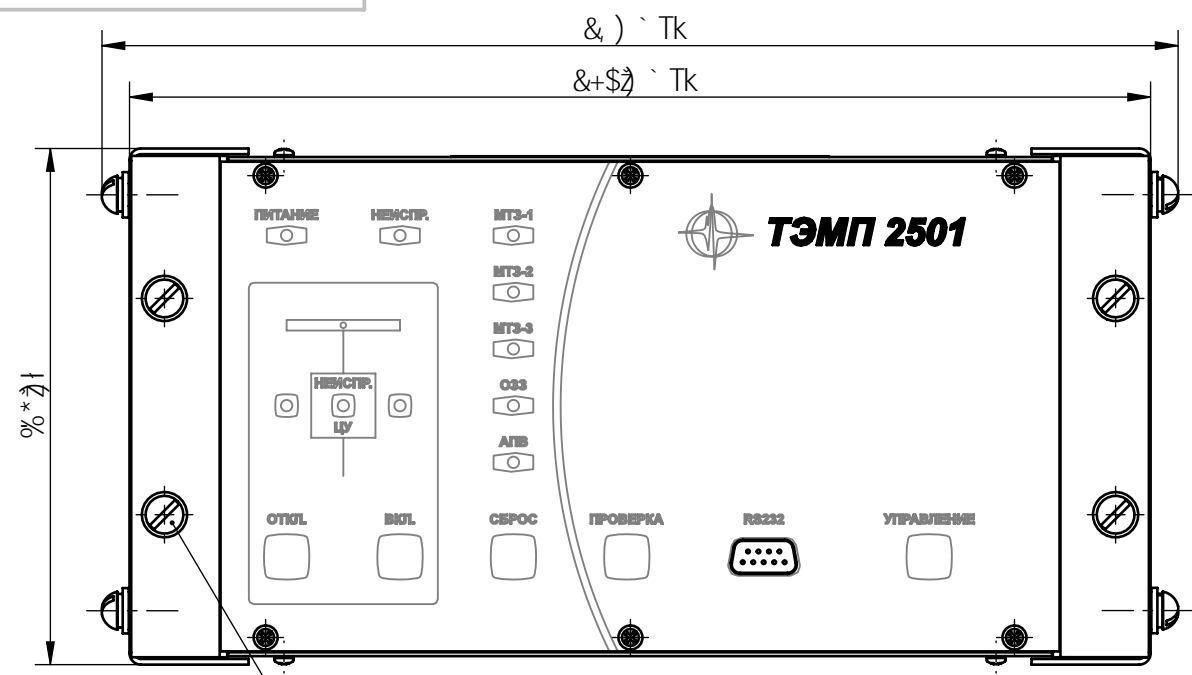
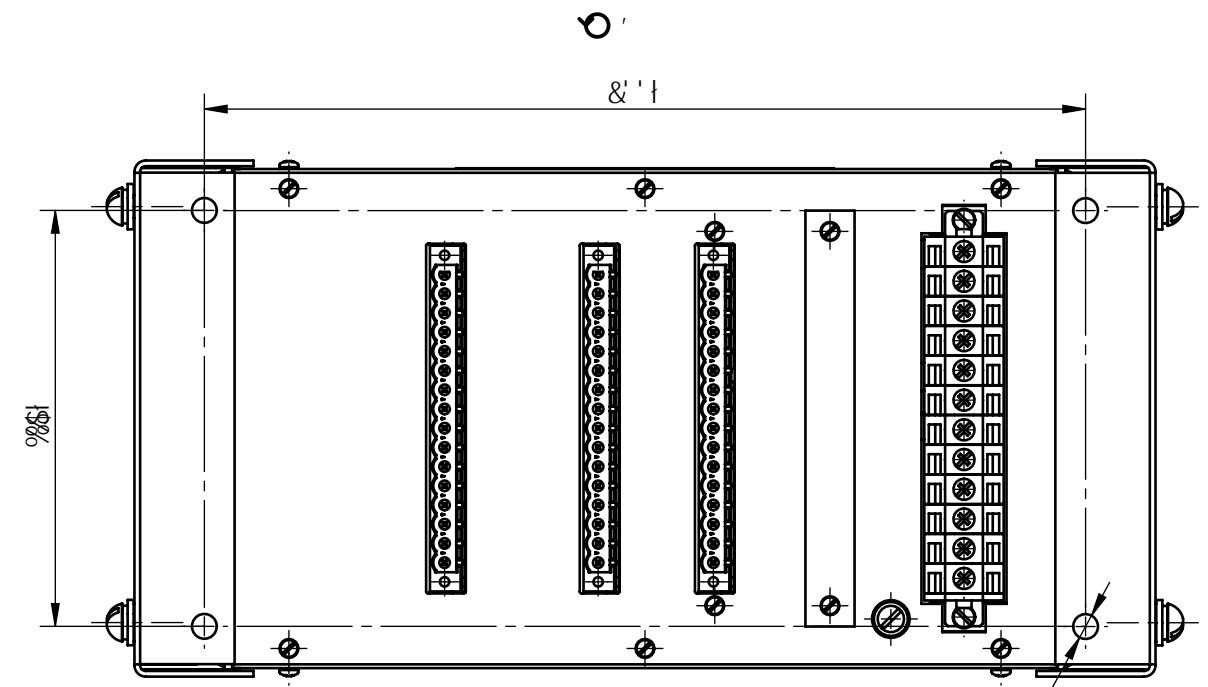


~ !.8) \$, 188% * (xii S » ʌ •

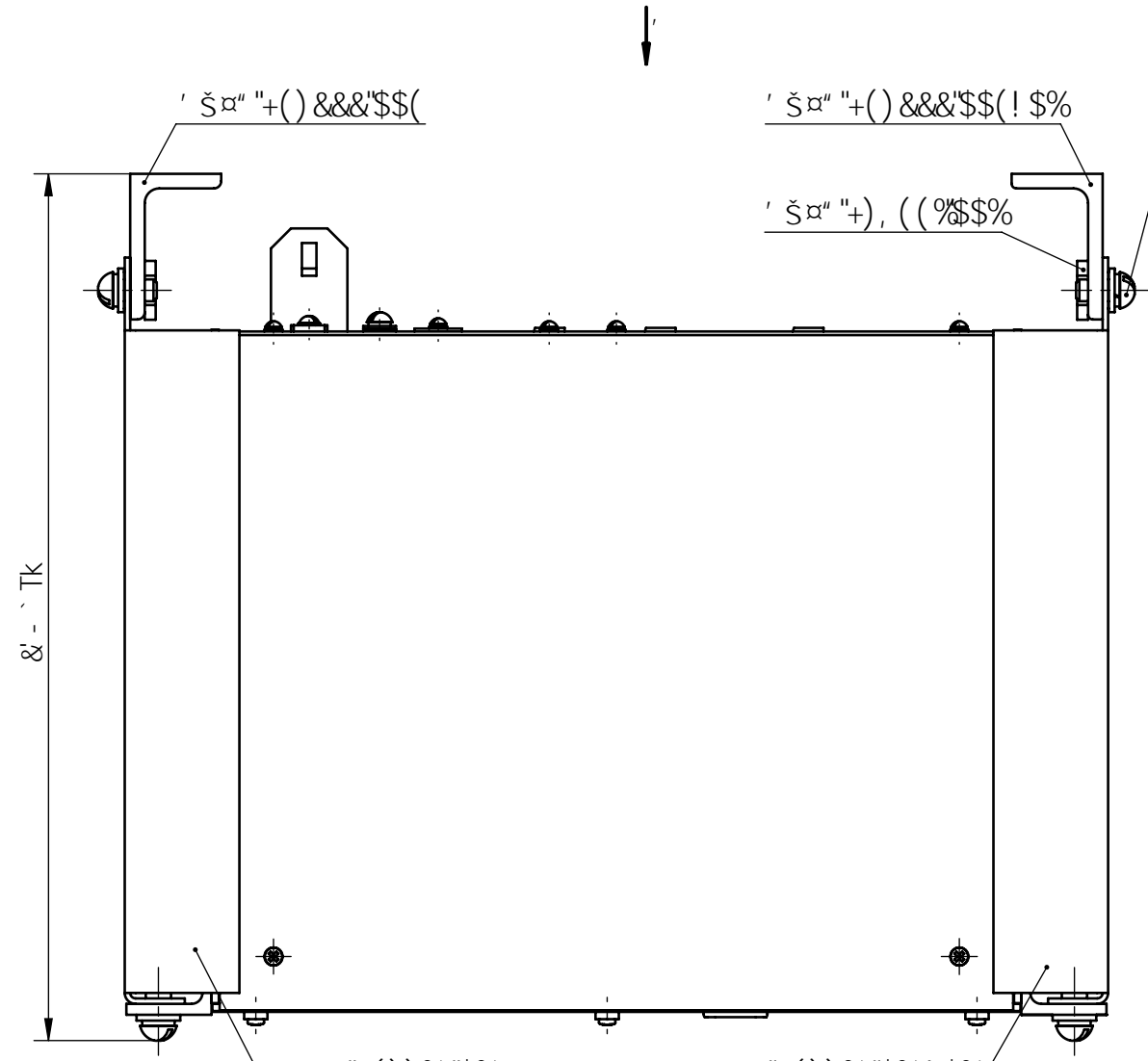


" 1AC " | * ! * ZE% & \$% • E! S % (+ !, \$ fl' I Ck
 - u 3 4 u * *) • \$% • E! S * (\$ & + \$ fl' I Ck
 - u 3 4 u | * " \$% \$; A \$% • E! S % + % +, fl' I Ck

¥ 1/2 E &



(AC • " φ * z I



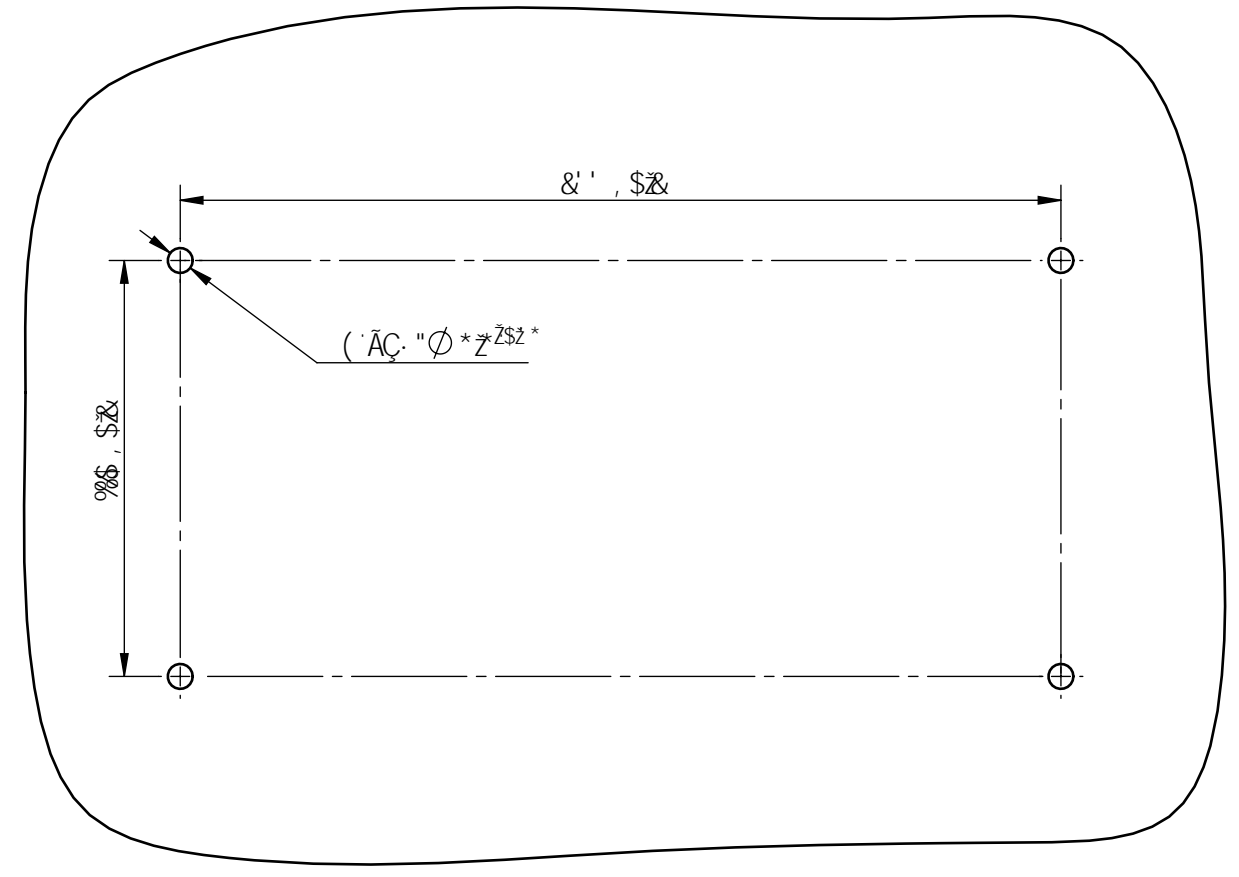
' š α " + () &&& \$ \$ (

' š α " + () ((% \$ \$ %

' š α " + () % & ' \$ % &

" 1AC " | * ! * ZE% & \$% • E! S % (+ !, \$ fl' I Ck
 - u 3 4 u * *) • \$% • E! S * (\$ & + \$ fl' I Ck
 - u 3 4 u | * " \$% \$; A \$% • E! S % + % +, fl' I Ck

i AAC μ » AD ° AC • ° AAC 1/0



(AC • " φ * z Z sz *

š A " S • AĀ 1 A " pĀ 1 ÄV 1/2 1 Ck μ " 1/2 A ° A 1/2 A " š š A " S • 1 E 1 A " pĀ 1 ÄV 1/2 1 Ck μ pĀ 1 ÄV 1/2 1 Ck μ

š 1 A " ¥ 1/2 AC š 1 Ä 2 EA ° AC μ pĀ 1 ÄV 1/2 1 Ck μ - μ C μ

• Ÿ « š " *) * % & & \$ (& ; -

8 P' ÄU CÄÄ 1/3 P pĀĀ ° C S S 2 ; p &) \$ P B K P S 2 ; p S &) \$ % a S i -

\$, \$ + " & S S -

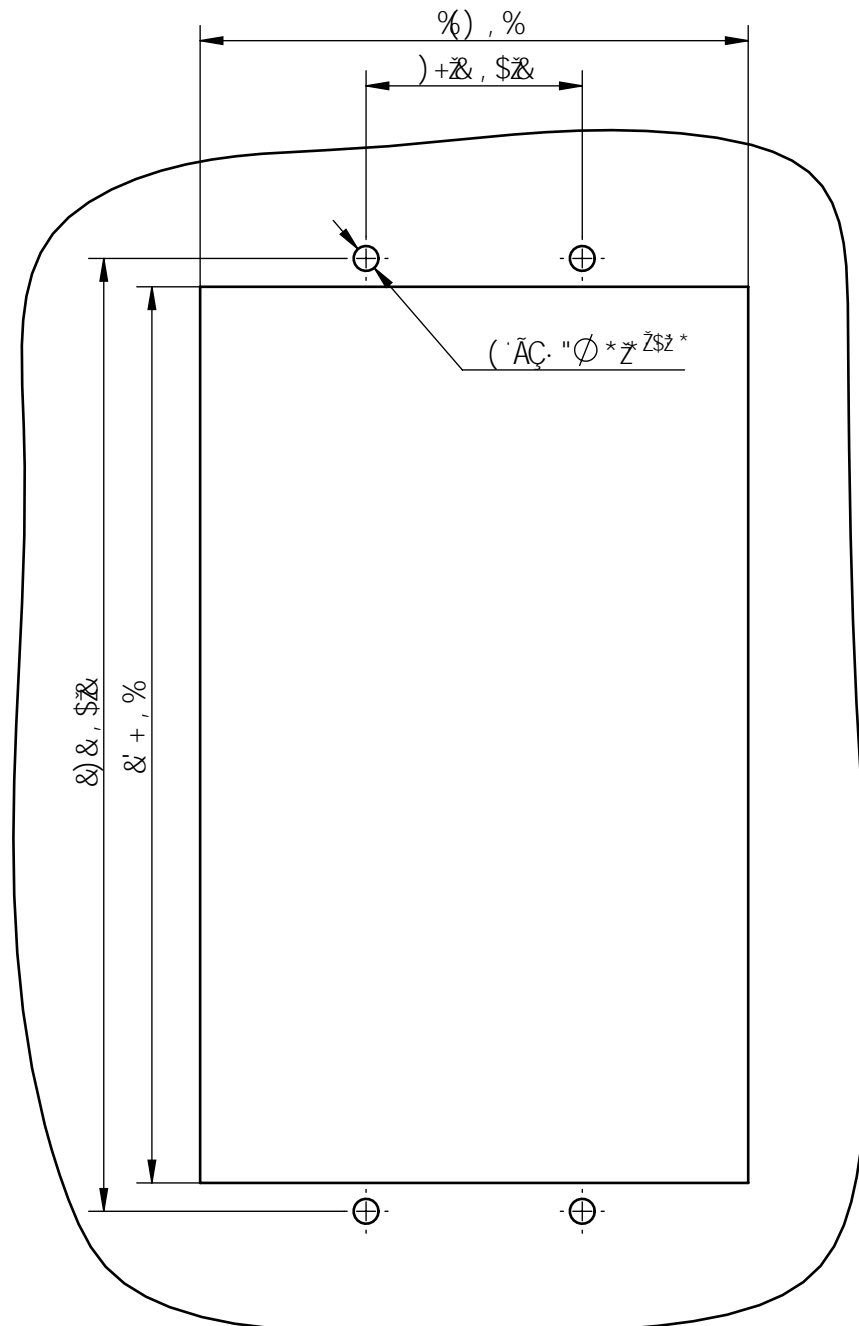
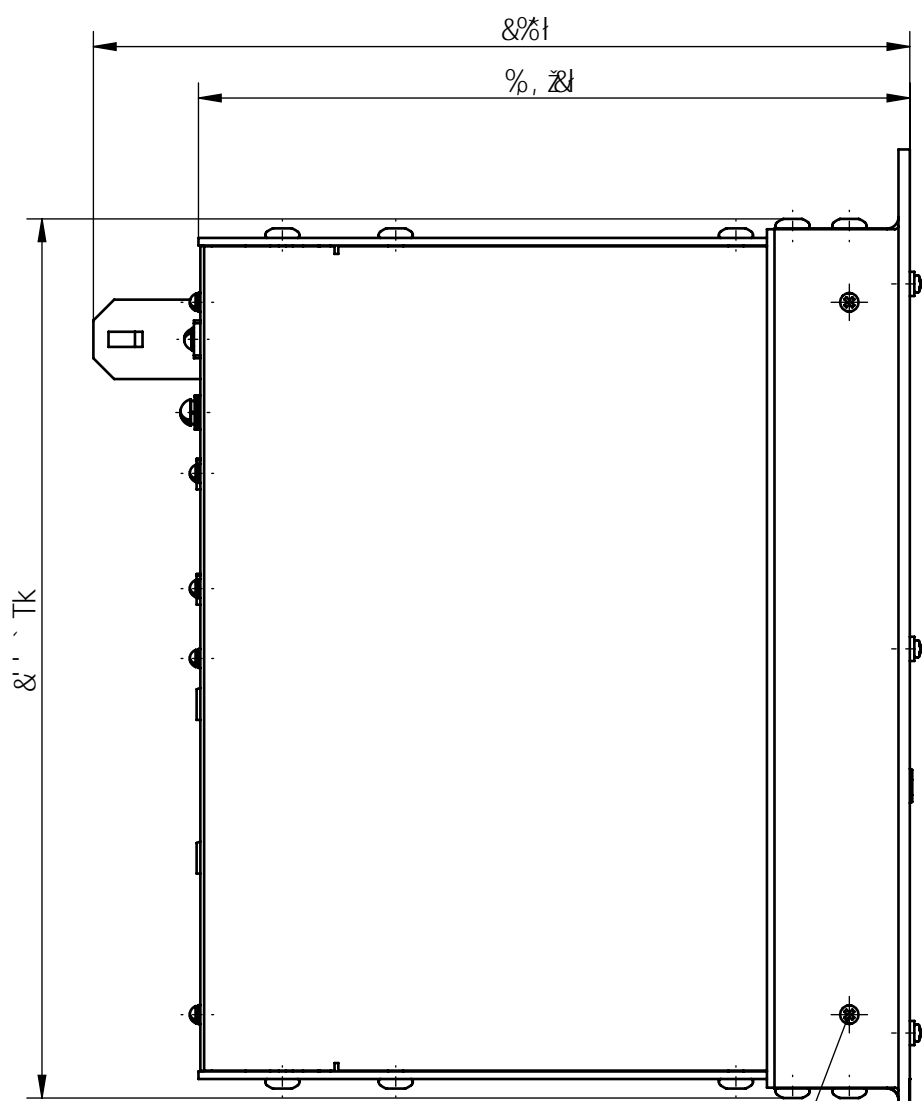
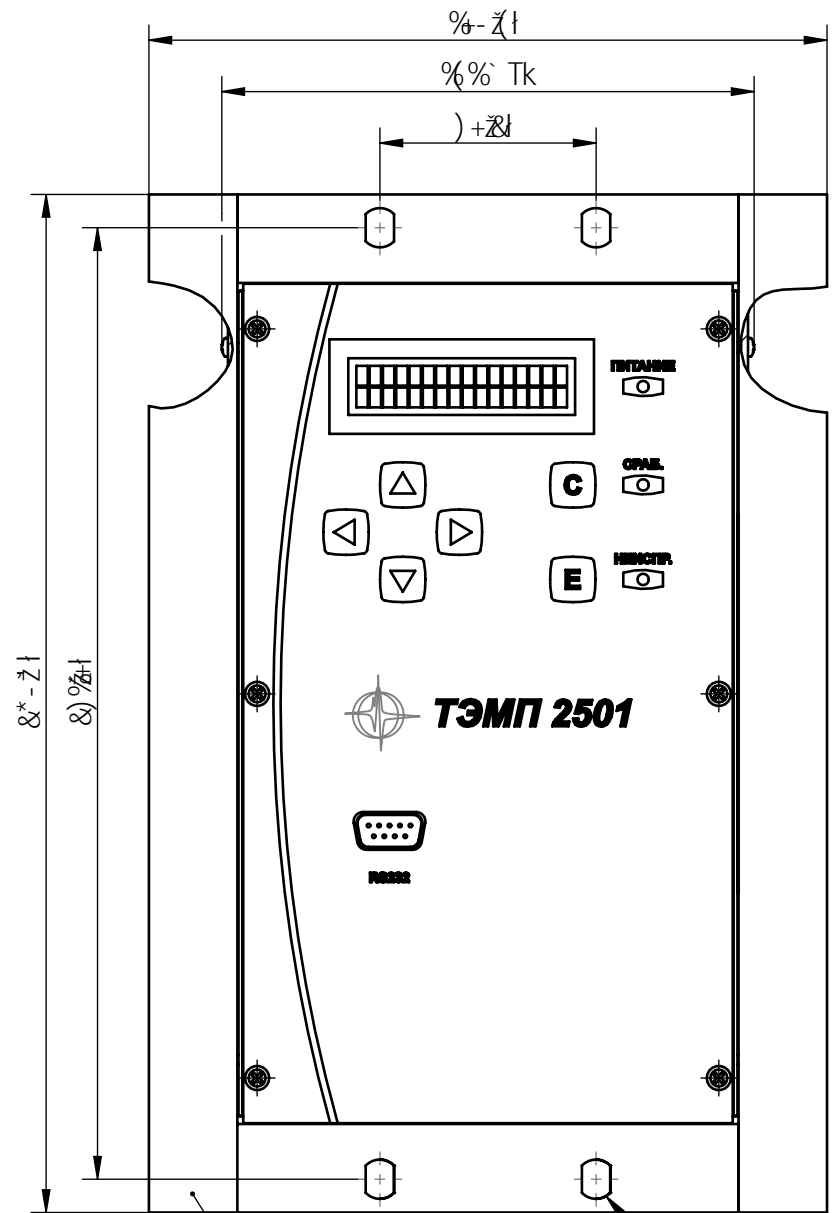
© ÄÄÄ μ C 5'

¥ 1/2 AC
&

~ !.8)\$.88%* (xii S»A.

¥1/Æ

i AACµ» AD° AC° ° AÆ 10



(AC° " %Z) E+Z) t
 -° ; AAµC 1/2 AD 3/4 E, AAA; (&<D') *%+++ f' í ÇŁ

" 1/AC Hbek AµAAA° 1/4; ' E-z' ' (') *\$! %'f(í ÇŁ

SA " S " AA1 A" µA° A 1/2 µCµ
 " 1/µA° A 1/2 µCµ
 " 1/µA° A 1/2 µCµ
 " 1/µA° A 1/2 µCµ
 " 1/µA° A 1/2 µCµ

•Y«š"*) *%'\$(' i -